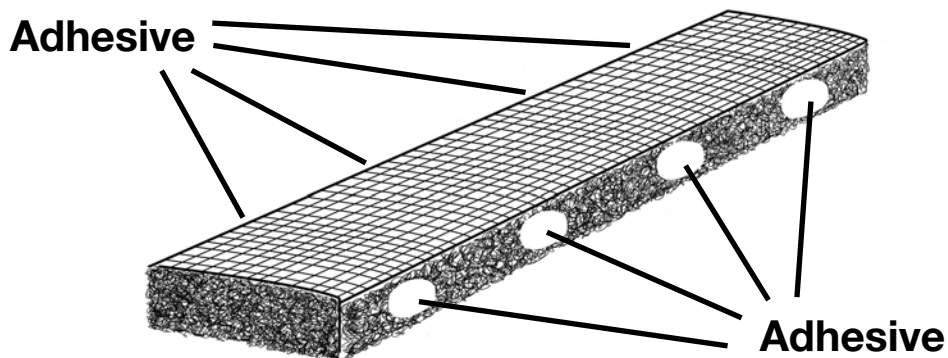


Rain Flow

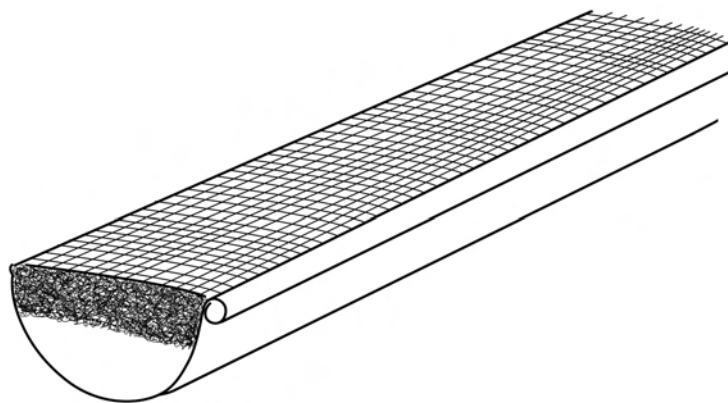
TOTAL GUTTER PROTECTION™

Installing Rain Flow Total Gutter Protection In 5 inch & 6 inch Half-Round Gutters

- ① Make sure that inside surfaces of gutter are clean and free of dirt. Clean patina from inside edges of copper gutters.
- ② Apply 3-4 dabs of silicone adhesive along both edges of Rain Flow. The adhesive amount should be roughly the size of a quarter.



- ③ Fit Rain Flow into half-round gutter, butting the pieces against each other.



IMPORTANT NOTE: Half-Round Rain Flow must be caulked into place to prevent high winds from blowing Rain Flow out of the gutter. To ensure proper installation, make sure that inside of gutter is clean before installation, and that the adhesive will have a chance to cure prior to inclement weather.